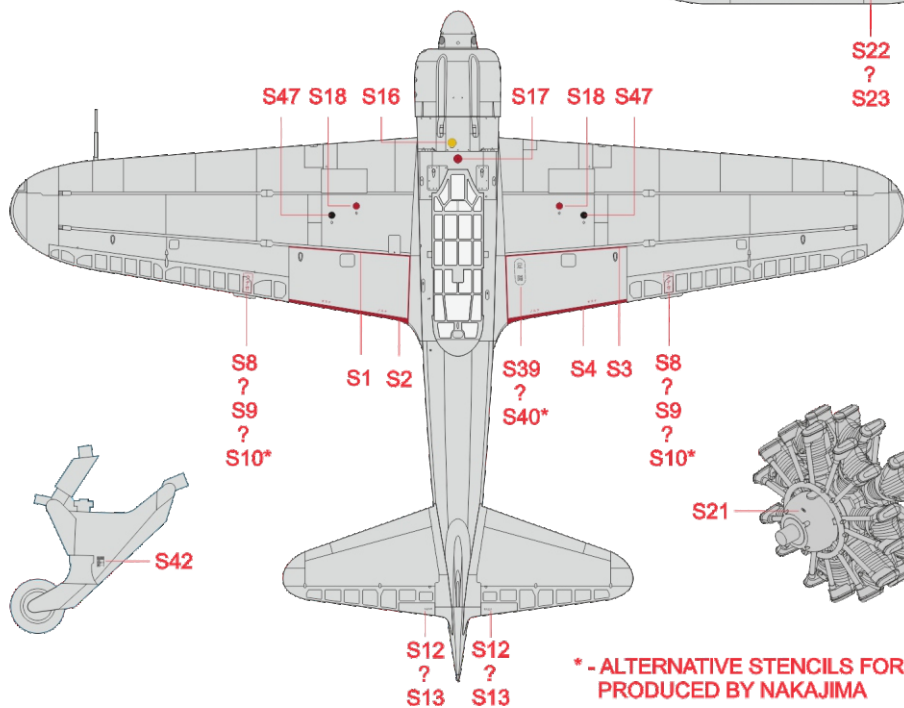
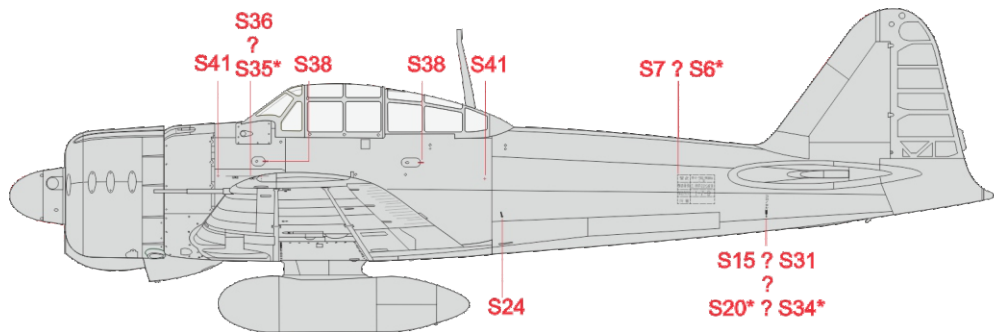


SCALE
1/32

A6M2 STENCILS

ITEM #
D32017



* - ALTERNATIVE STENCILS FOR A6M2
PRODUCED BY NAKAJIMA

DESIGNED EXCLUSIVELY FOR A6M2 BY TAMIYA



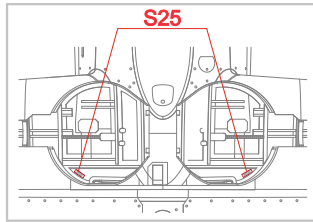
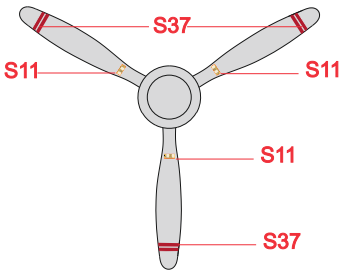
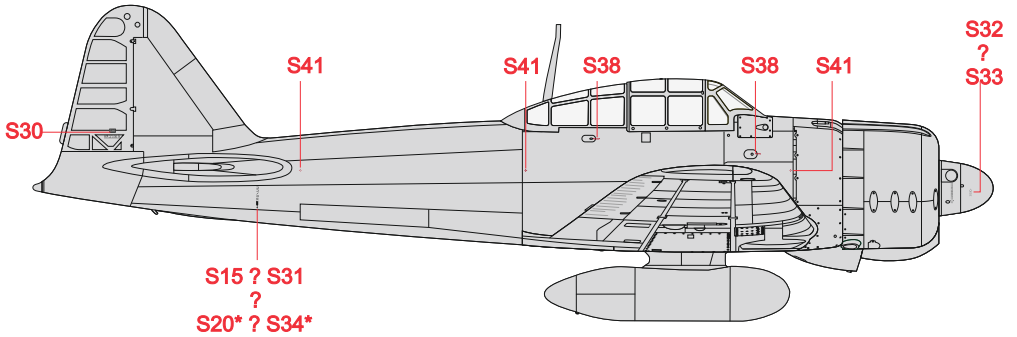
Eduard - Model Accessories, 435 21 Obrnice 170,
Czech Republic

WWW.EDUARD.COM

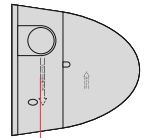
D32017 A6M2 stencils 1/32



8 591437 565177



SPINNER - DETAIL



S32 ? S33

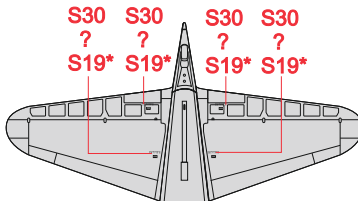
INNER SIDE PORT SIDE STARBOARD



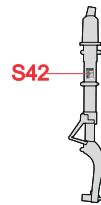
S43 ? S45*



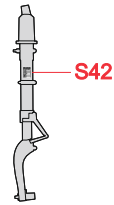
S44 ? S46*



PORT SIDE STARBOARD



S42



S42

